

PORCELAIN ENAMEL BATHTUB

inches

WITH PREMIUM CAST INSULATION

60W x 30D x 16 5/8H

011-3444 (RH)

011-3445 (LH)



DRAIN FINISHES

Stock

Chrome (CH)
Brushed Nickel (BN)
Dark Bronze (DB)
Matte Black (MB)
Brushed Gold (BG)

COLOR & TRIM OPTIONS

Stock

White
Biscuit
Bone

FEATURES

- Porcelain enamel encased with premium cast insulation
- Light weight and durable
- Full length sound deadening pad
- Armorshield* — jobsite protective coating
- Deep soaker
- Slip-resistant bottom
- Standard outlet
- Easy installation — Set it and level it
- Lifetime limited warranty

STANDARDS AND RATINGS

- ASME A112.19.1/CSA B45.2 (Standard for Enameled Steel Plumbing Fixtures)
- ADA (American Disabilities Act)
- ASTM F 462 (Safety Specification for Slip Resistant Bathing Facilities)
- ASTM E 162 (Test Method for Surface Flammability)
- ASTM E 662 (Test Method for Smoke Density)
- ANSI Z124.1.2 sec 5.6 (Ignition Test)
- WW-P 541 (U.S. Military Federal Specification)
- HUD-FHA-VA
- LEED
- Buy American Act

See terms and conditions for details.

*Optional Factory-applied, thick protective coating that guards against most jobsite damages. Please contact your ABG Hospitality specialist to learn more.



MADE IN THE USA

PORCELAIN ENAMEL BATHTUB

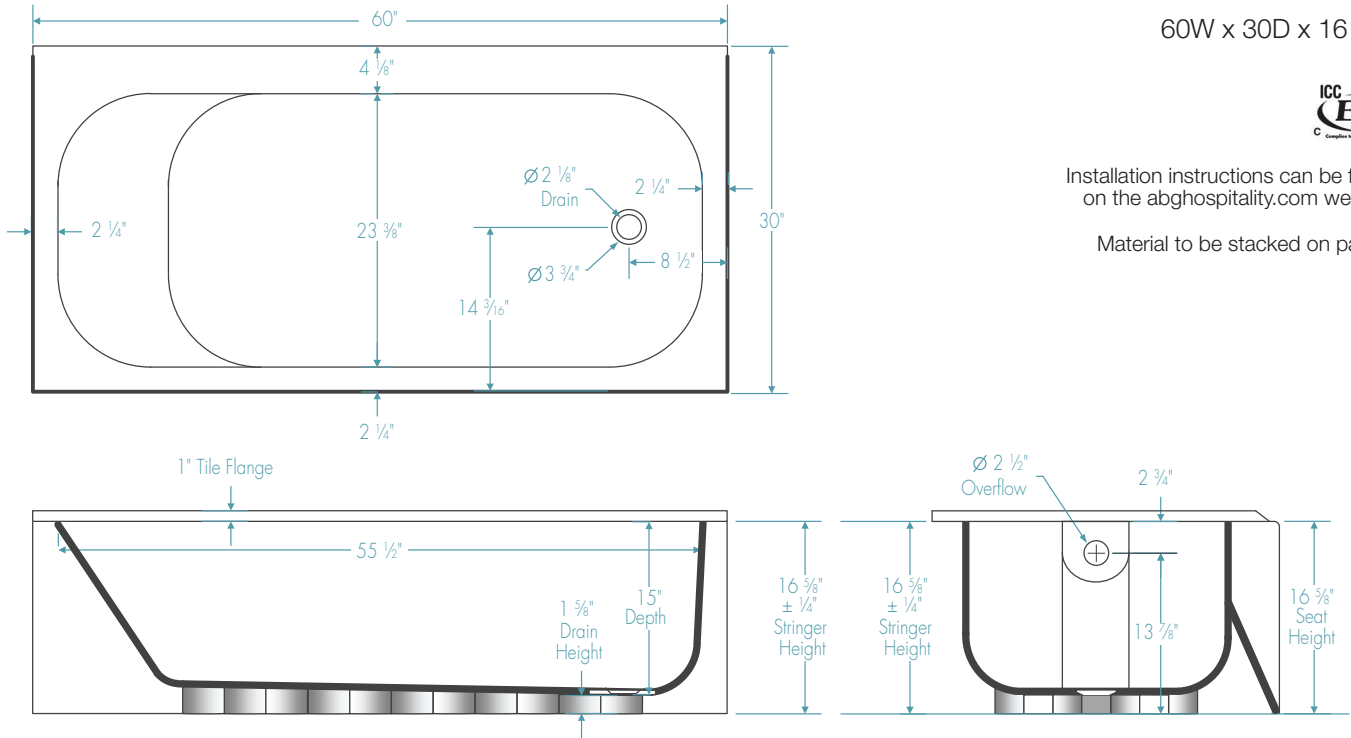
WITH PREMIUM CAST INSULATION

60W x 30D x 16 5/8H



Installation instructions can be found on the abghospitality.com website.

Material to be stacked on pallets.



FEATURES Dimensional Tolerance ± 3/16". Dimensions needed for site preparation should be measured from the unit. American Bath Group assumes no responsibility for preparatory work.

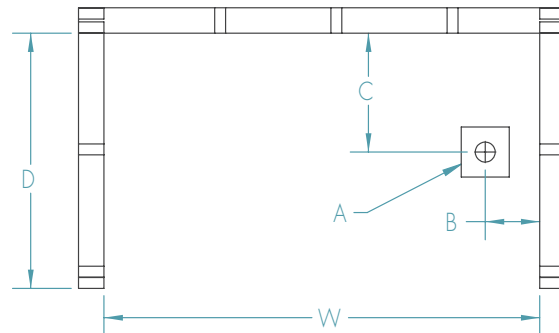
Type and Model #	Material	Drain	Apron Height	Pkg. Wt. lbs.
Bathtub #011-3444	Porcelain Enamel	RH	16 5/8	83
Bathtub #011-3445	Porcelain Enamel	LH	16 5/8	83

DIMENSIONS

Specifications	inches
Width:	30
Depth:	15
Height:	16 5/8
Drain Rough-In (from Back Wall)	8 1/2
Drain Rough-In (from Side Wall)	14 3/16

FRAMING DIMENSIONS inches

Type	D Depth	W Width	A	B	C
Alcove	≥30	>60	2 1/8 drain	8 1/2	14 3/16



SUMP DATA

Top of Drain to Bottom of Overflow	Capacity to Overflow gal	Min. Operating Capacity gal	WIDTH @ centerline		DEPTH @ centerline	
			Top	Bottom	Top	Bottom
10 5/8	45 5/8	0	55 1/2	23 3/8	-	-